



D 85 AHA
D 100 AHA
D 120 AHA

D 85 AHG
D 120 AHG
D 150 AHG



www.ausa.com

AUSA Center, S.L.U. ● Ctra. de Vic, Km 2.8 - P.O.B. 194, 08243 Manresa - BARCELONA (ESPAÑA) Tel.: +34 93 874 73 11 E-mail: ausa@ausa.com

ISO 9001

ISO 14001



(Sede central AUSA-Manresa)

AUSA Madrid ● Pol. Ind. Coslada-Marconi 15-17, 28823 Coslada - MADRID (ESPAÑA) Tel.: +34 91 669 00 06 E-mail: ausa.madrid@ausa.com

AUSA France ● Z. I. Saint Charles-Rue de Zürich, 66000 PERPIGNAN (FRANCE) Tel.: +33 (0) 4 68 54 38 97 E-mail: ausa.france@ausa.com

AUSA ● Unit 16 Hollows Works - Shawclough Road - Rochdale - Lancs OL12 6LN (U.K.) Tel.: +44 (0) 1706 64 96 91 E-mail: ausa.uk@ausa.com

AUSA Repräsentanzbüro Deutschland ● Heinrich - Welken Str. 5, 59069 HAMM - RHYNERN (GERMANY) Tel.: +49 2385922245 E-mail: ausa.deutschland@ausa.com

AUSA Northamerica Corp. ● 2655 Le Jeune Road - Suite 808, CORAL GABLES FL 33134 (USA) Toll free: 1 800 820 AUSA E-mail: ausa.corp@ausa.com

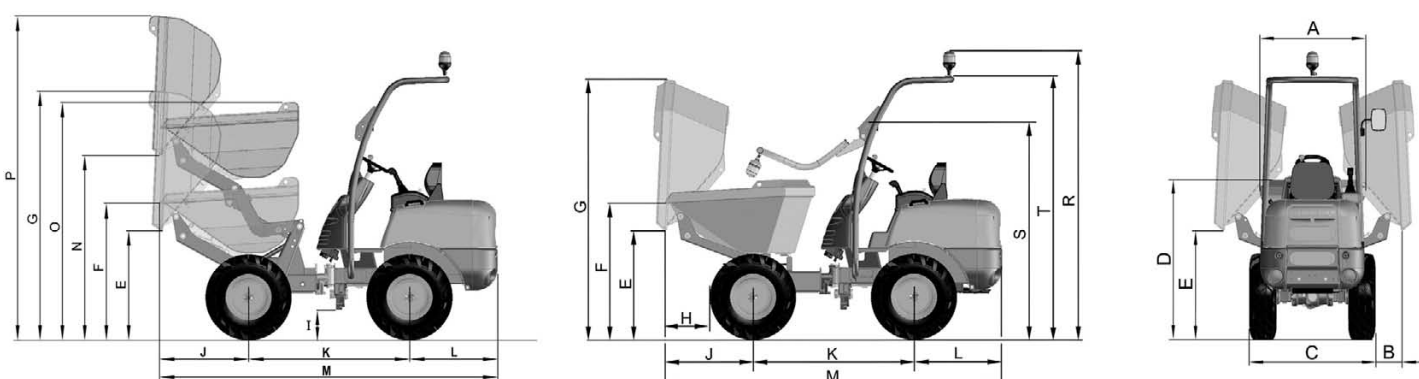
BEIJING Rep. Office ● Address Room 527, HengXiang Building, Tuanjiehu Nanli, Chaoyang District. - Beijing 100026 CHINA

Tel: 86-10-8597 1983 - Fax: 86-10-8597 1993 - E-mail: ausa.china@ausa.com



DIMENSIONS (mm)	D 85 AHA	D 100 AHA	D 120 AHA	D 85 AHG	D 120 AHG	D 150 AHG
A	990	990	1190	990	1190	1391
B	-	-	-	350	245	100
C	1015	1215 (1125*)	1200	1015	1200	1450
D	1435	1440	1485	1420	1470	1500
E	930	935	980	970	1020	1030
F	1225	1230	1275	1225	1275	1275
G	2230	2235	2280	2380	2430	2525
H	495	485	440	490	435	435
I	215	220	265	215	265	275
J	822	822	822	804	804	820
K	1500	1500	1500	1500	1500	1600
L	820	820	820	820	820	820
M	3142	3142	3142	3124	3124	3240
N	1630	1635	1680	-	-	-
O	2130	2135	2180	-	-	-
P	2930	2935	2980	-	-	-
R	2600	2605	2650	2600	2650	2600
S	1950	1955	2000	1950	2000	2015
T	2370	2375	2420	2370	2420	2450

* with optional tyres



TECHNICAL SPECIFICATIONS		D 85 AHA / D 100 AHA / D 120 AHA	D 85 AHG / D 120 AHG	D 150 AHG
Load capacity (Kg)		850 / 1000 / 1200	850 / 1200	1500
Unloading system		Hydraulic tipping.	Hydraulic, 180° rotating.	Hydraulic, 180° rotating.
Chassis		Articulated +/- 35° and oscillating +/- 13°.		
Hopper capacities (l)	Water	345 / 345 / 425	325 / 415	520
	Levelled	395 / 395 / 515	390 / 495	626
	Heaped	505 / 505 / 680	510 / 670	835
Engine	Diesel	Kubota D1105	Kubota D1105	Kubota D1105
	Power acc./DIN 70020 (KW/HP)	18,9 / 25,3	18,9 / 25,3	18,9 / 25,3
	N° of Cylinders	3	3	3
	Cooling system	Water	Water	Water
Traction		4 x 4 permanent		
Transmission		Hydrostatic with variable flow pump and automatic regulation. Forward and reverse control on the joystick.		
Engine starting system		Electric		
Speed (max.) (Km/h)		14 / 15 / 17	14 / 17	17
Axles		Axles with planetary wheel reduction		
Unladen weight (Kg)		1300 / 1300 / 1375	1300 / 1375	1510
Gradient negotiable (with full load)		43% / 38% / 48%	43% / 48%	40%
Hydraulic circuit		Gear pump of 8 cc. Working pressure 170 bar.	Gear pump of 8 cc. Working pressure 170 bar.	Gear pump of 8 cc. Working pressure 210 bar.
Tyres	Standard	7.00-12" / 11.0/65-12 / 10.0/75-15.3"	7.00-12" / 10.0/75-15.3"	10.0/75-15.3"
	Optional (D100AHA-AHG)	- / 27x8.50-15" / -	- / 27x8.50-15" / -	-
External turning circle (mm)		3060	3060	3260
Steering		Hydraulic		
Tank capacity (l)	Fuel	23	23	23
	Hydraulic fluid	21.2	21.2	21.2
Service and parking brake		Sealed oil-immersed, multidisc, mechanically operated		

STANDARD EQUIPMENT	
	Anti vandal system
	Ergonomic seat
	Seat belt
	Joystick
	ROPS
	Rotating beacon
	Rear view mirror

OPTIONAL EQUIPMENT	
	FOPS overhead guard
	Lighting equipment
	Audible reverse warning (Std. UK)