



B 120 RM
B 120 RM x4

B 250 RH



www.ause.com

AUSA Center, S.L.U. ● Ctra. de Vic, Km 2.8 - P.O.B. 194, 08243 Manresa - BARCELONA (ESPAÑA) Tel.: +34 93 874 73 11 E-mail:



ISO 9001

ISO 14001



(Sede central AUSA-Manresa)

AUSA Madrid ● Pol. Ind. Coslada-Marconi 15-17, 28823 Coslada - MADRID (ESPAÑA) Tel.: +34 91 669 00 06 E-mail: ause.madrid@ause.com

AUSA France ● Z. I. Saint Charles-Rue de Zürich, 66000 PERPIGNAN (FRANCE) Tel.: +33 (0) 4 68 54 38 97 E-mail: ause.france@ause.com

AUSA ● Unit 16 Hollows Works - Shawclough Road - Rochdale - Lancs OL12 6LN (U.K.) Tel.: +44 (0) 1706 64 96 91 E-mail: ause.uk@ause.com

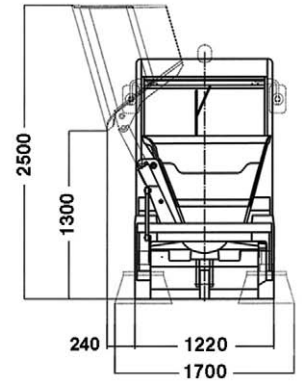
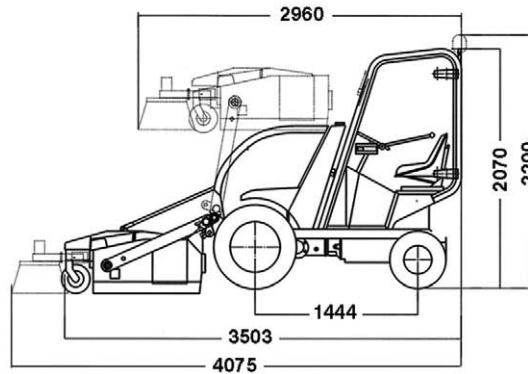
AUSA Repräsentanzbüro Deutschland ● Heinrich-Welken Straße 5, 59069 HAMM - RHYNERN (GERMANY) Tel.: +49 2385922245 E-mail: ause.deutschland@ause.com

AUSA CORPORATION ● 2655 Le Jeune Road - Suite 808, CORAL GABLES FL 33134 (USA) Toll free: 1 800 820 AUSA E-mail: ause.corp@ause.com

BEIJING Rep. Office ● Address Room 527, HengXiang Building, Tuanjiehu Nanli, Chaoyang District. - Beijing 100026 CHINA

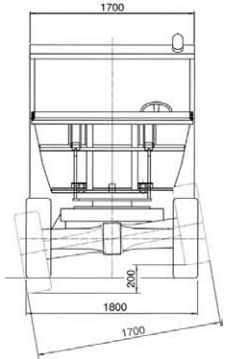
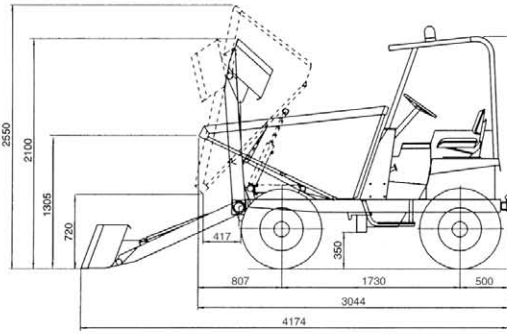
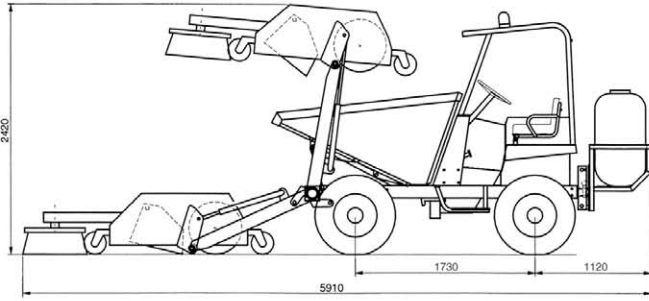
Tel: 86-10-8597 1983 - Fax: 86-10-8597 1993 - E-mail: ause.china@ause.com

B 120 RM
B 200 RM
B 250 RH



B 120 RM

B 250 RH



SPECIFICATIONS

	B 120 RM	B 120 RM x4	B 250 RH
Hopper capacity (l)	400		900
Sweeper attachment capacity (l)	98		240
Elevation and unloading of the sweeper attachment		Hidraulic	
Hopper unloading height (mm)	1360		1000
Engine	Diesel	KUBOTA D902	ISUZU 4LE2 Tier II
Power s/DIN 6270B (KW/CV)	12,5 / 16,7 (2500 rpm)		34,5 / 46 (2700 rpm)
Power s/DIN 70020 (KW/CV)	13,6 / 18,2 (2500 rpm)		37,5 / 51 (2700 rpm)
N° cylinders	3		4
Coolant	Water		Water
Traction	4x2	4x4 with automatic disconnection	4x4 Permanent
Transmission	Mechanical. 4 speed forward and 4 speed reverse through inverter		2-speed Hidrostatic. Electric gear inverter.
Clutch	Single disk, 180 mm in diameter. Mechanically activated		-
Ignition			Electric
Speed (maximum) (Km/h)	24		20
Sweep width (mm)	from 1600 to 1800		from 1900 to 2000
Recomended sweep speed (Km/h)	4		
Central brush width (mm)	900		1500
Central brush diameter (mm)	400		600
Side brush diameter (mm)	750		
Unloaded weight (with full tanks) (Kg)	1700		2425
Maximum slope	Under full load		40 %
	Sweeping	20 %	
Tyres	Front	215 / 80R 16C	10.0/75-15.3 (10 PR)
	Rear	20.800 x 10 4PR	10.0/75-15.3 (10 PR)
Steering	Hydraulic. Working pressure 150 bar		Hydraulic. Working pressure 70 bar
External turning circle (mm)	2900	3200	4500
Tank capacity	Fuel (l)	13.5	40
	Hydraulic oil (l)	16.5	30
	Water supply for sprinkling (l)	200	450
Water pump	Electric of 12.5 l/min		
Total sprinkling width (mm)	2000		2500
Hand Brake	Front axle hydraulic		Hydraulic, drum-type, on front driving pinion
Parking brake	Mechanical in front axle		Mechanical, drum-type, on front driving pinion
Hydraulic circuit	Gear pump of 8 cc. Working pressure 130 bar		Gear pump of 10.6 cc. Working pressure 150 bar

STANDARD EQUIPMENT

Ergonomic seat	
Rotating beacon	
Acoustic reverse indicator	
Seat belt	
Semi cabin ROPS/FOPS	Anti vandal system
Front and rear windscreen with wipers	FOPS/ROPS protective roof
Rear mirrors	Windscreen with weeper
Mudguards	Self-loading bucket of 250 l, easily interchangeable for the sweeper kit, wich allows to perform as a dumper.

OPTIONAL EQUIPMENT

Soundproofed closed cabin with heater	Lighting equipment
Lightning equipment (Front and rear lights)	Great comfort seat, with suspension and adaptable distance to the dashboard
Self-filling shovel interchangeable with the sweeper attachment. Capacity: 70 l	Second seat
Curved snowplough blade with hydraulic tilting of +/-35 degrees (working width 1200 mm)	